
Food Waste Disposer Owner's Guide

IMPORTANT - Read all instructions thoroughly. Keep this guide for future reference.

CAUTION - Be sure to review SAFETY INSTRUCTIONS PERTAINING TO A RISK OF FIRE, ELECTRICAL SHOCK OR INJURY TO PERSONS before installing disposer.

Our Food Waste Disposer is a reliable appliance that will offer your household many years of trouble free use. This disposer has been uniquely designed to free your kitchen of all organic food waste left over after the preparation and clean-up of meals. Simply turn on the water, switch the disposer on, put your food waste in the disposer and it will shred the garbage into very fine particles that are easily flushed through the sewer system without any problem.

Before installing and operating this disposer, please read and follow all recommendations in this manual to ensure trouble free operations.

If you have any questions, please contact your distributor.

TABLE OF CONTENTS

- | | |
|--|--|
| 1 MOUNTING ASSEMBLY | 5 CONNECTING DISPOSER TO MOUNT ASSEMBLY |
| 2 ELECTRICAL CONNECTIONS | 6 OPERATING INSTRUCTIONS |
| 3 DISHWASHER CONNECTION | 7 TROUBLESHOOTING |
| 4 ATTACHING THE DISCHARGE ELBOW | 8 CLEANING AND MAINTENANCE |



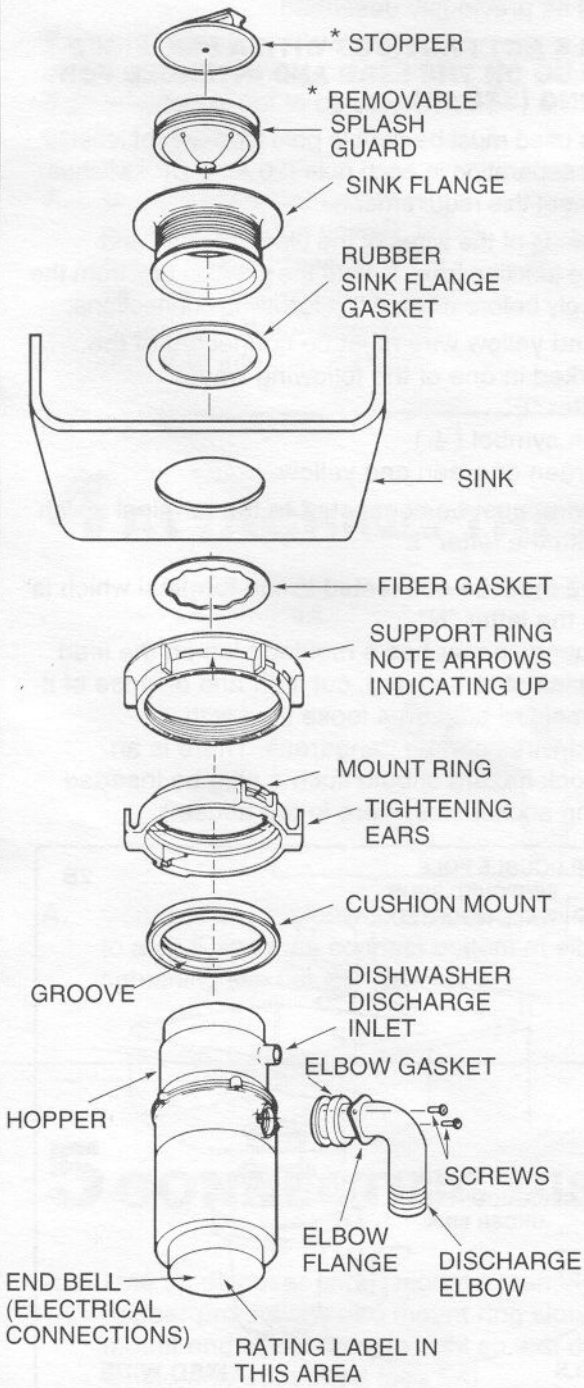
IMPORTANT SAFETY INSTRUCTIONS

**INSTRUCTIONS PERTAINING TO RISK OF FIRE, ELECTRIC SHOCK OR INJURY TO PERSONS.
SAVE THESE INSTRUCTIONS.**

WARNING - When using electrical appliances, basic precautions should always be followed, including the following:

1. Read all instructions before using the appliance.
2. To reduce the risk of injury, close supervision is necessary when an appliance is used near children.
3. Do not put fingers or hands into a waste disposer while it is functioning.
4. Turn the power switch to the off position before attempting to clear a jam or remove an object from the disposer.
5. When attempting to loosen a jam in a waste disposer, use a long wooden spoon or a broom handle.
6. When attempting to remove objects from a disposer, use long-handled tongs or pliers.
7. To reduce the risk of injury please note:
 - this disposer is not for grinding hard materials, such as glass and metal;
 - this disposer must be connected to the electric supply by means of either a power supply cord or insulated wires in a flexible conduit;
 - when installing the disposer, care must be taken to ensure that the reset button of the overload protection device remain readily accessible.
8. Additionally for continuous feed models
 - Care must be taken to ensure that the supply is disconnected by switching off the electric supply or by removing the plug from the socket-outlet before freeing a jammed rotor (as described in step 5).
 - When not operating the disposer, leave the stopper in place to reduce the risk of objects falling into the disposer.
 - **Do not operate disposer unless splash guard is in place.**
9. **For proper grounding instructions see the ELECTRICAL CONNECTION portion of this manual.**
10. If you are not familiar with electrical power and procedures call a qualified electrician.

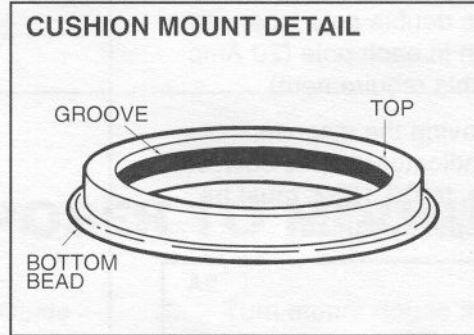
1 COMPONENTS AND INSTALLATION OF MOUNT ASSEMBLY



(Read completely before starting.)

NOTE: Pay close attention to the order of mount assembly parts, as they have been correctly assembled by the factory. Also, reference the cushion mount detail illustration below for the proper orientation of the cushion mount.

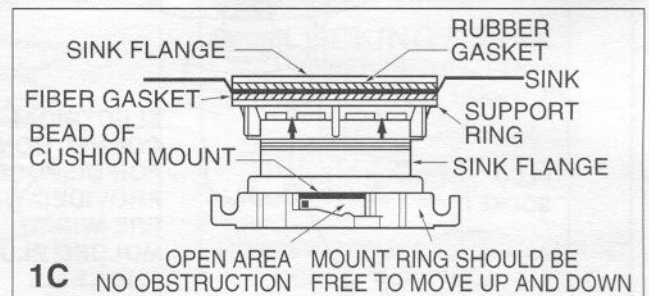
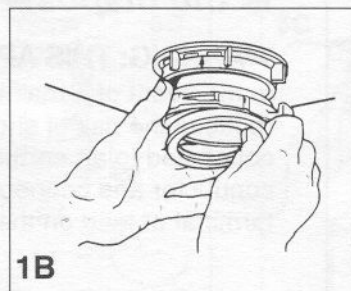
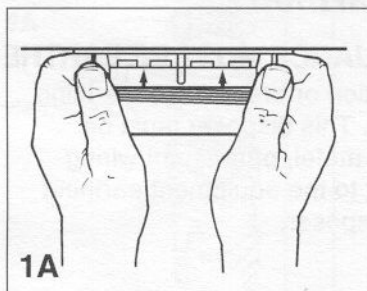
- A. Disassemble mount assembly from disposer by turning mount ring to the left (clockwise) and remove.
- B. Raise mount ring toward top of sink flange. Remove cushion mount. Remove mount ring. You may want to practice installing the cushion mount at this point before you are under the sink. See paragraph "H."
- C. Unscrew support ring from sink flange and remove fiber gasket. You are now left with sink flange and rubber gasket.
- D. **The rubber gasket is used instead of plumbers putty with stainless steel sinks. Other sinks will require putty.**
- E. If no putty is used, insert sink flange through rubber gasket into sink opening. Do not rotate sink flange once it is seated.
- F. If you use putty instead of the gasket, form a ring around underside of sink flange. Insert flange into sink opening, press down hard to squeeze out excess putty. From under sink, trim off excess putty flush with bottom edge of sink opening.
- G. From underneath sink, slip fiber gasket onto exposed sink flange. With arrows pointing up, screw support ring onto the sink flange, hand tighten until the sink flange will not move (see 1A). At this point you may want to insert stopper in sink and fill with water to check sink flange seal and insure there are no leaks.
- H. Place mount ring over sink flange and hold in place while installing



cushion mount (large side down) so the groove on the inside of cushion mount fits over lip on sink flange, similar to putting the lid on a plastic container (see cushion mount detail & 1B). Run fingers around entire cushion mount with slight pressure. Do not press too hard. When cushion mount is properly seated, mount ring can

be pulled downward over cushion mount and will be free to rotate. Illustration 1C shows correct installed position.

* NOT USED WITH BATCH FEED MODEL



2 ELECTRICAL SUPPLY

WARNING: THIS APPLIANCE MUST BE EARTHED.
In the event of a malfunction, earthing provides a path of least resistance for the electrical current, thus reducing the risk of electrical shock.

This disposer is rated at 220/240V~, 50/60 Hz and should be connected to a main distribution board or consumer unit.

Before you begin connecting the electrical supply, you should be thoroughly familiar with electrical power and procedures. If you are not, consult an electrician.

FOR MODELS WITH PROVIDED PRE-WIRED MOLDED PLUG AND LEAD (SEE 2A).

This disposer is designed to be connected to a 220/240V~50/60Hz electrical supply through a three-pin plug and socket. The disposer must be protected by a BS 1362 13 Amp fuse. This is already supplied in the molded plug and lead, attached to the disposer.

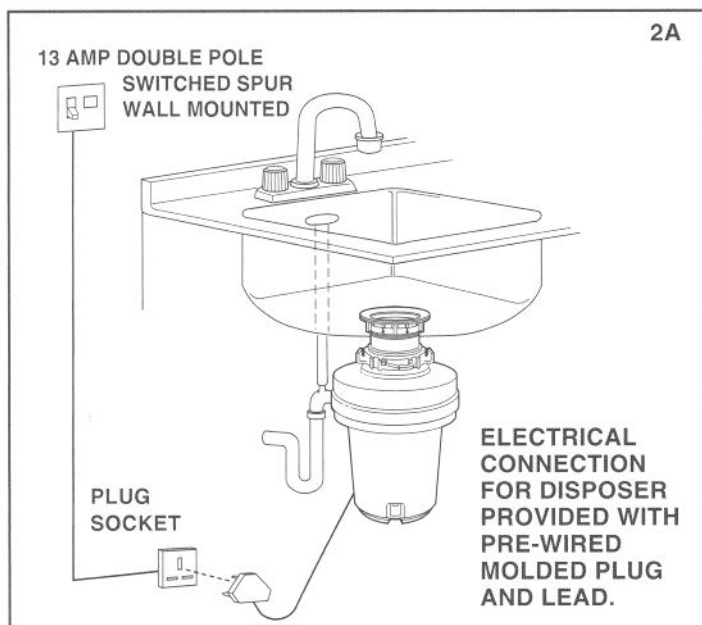
FOR BATCH FEED MODELS:

Simply plug the disposer into a 13 Amp plug socket, located conveniently below the sink.

FOR CONTINUOUS FEED MODELS:

Use the same 13 Amp plug socket for the batch feed models. Except switch the supply to *this* socket with a 13 Amp double pole switched spur. This spur switch should be situated conveniently above the work surface, at least a meter away from the side of the sink unit, away from splashes and out of reach of children. The spur switch used must be a double pole type with at least 3mm contact separation in each pole (20 Amp DP switches to BS 3676 meet this requirement).

To help prevent accidentally leaving the disposer running, a switch with a neon indicator lamp is advised. A 13 Amp ASTA approved fuse, to BS 1362, must be fitted in the fuse carrier of this spur switch.



ELECTRICAL CONNECTIONS:

If your disposer was manufactured with a prewired molded plug and lead, simply insert the plug into the socket wired as previously described.

FOR MODELS NOT PROVIDED WITH A PRE-WIRED MOLDED PLUG ON THE LEAD AND INTENDED FOR FIXED WIRING (SEE 2B).

The switches used must be double pole type with at least 3mm contact separation in each pole (20 Amp DP switches to BS 3676 meet this requirement).

Prepare the ends of the wires of the electrical lead and connect to the junction box. Isolate the junction box from the electrical supply before making the following connections:

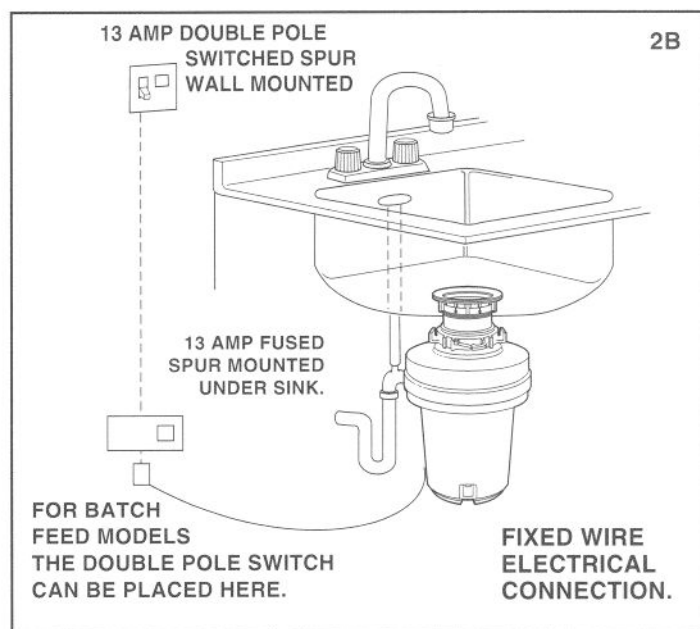
The green and yellow wire must be connected to the terminal marked in one of the following ways:

- with the letter "E"
- by the earth symbol (\perp)
- coloured green or green and yellow.

The brown wire must be connected to the terminal which is marked with the letter "L".

The blue wire must be connected to the terminal which is marked with the letter "N".

(NOTE: If your disposer has a molded plug on the lead and the plug is not to be used, cut it off and dispose of it sensibly. A molded plug on a loose lead with disconnected wires can be dangerous. There is an electrical shock hazard should such a plug be inserted into a 13 Amp socket elsewhere in the house.)



Is the disposer earthed?

WARNING: THIS APPLIANCE MUST BE EARTHED.

In the event of a malfunction or breakdown, earthing reduces the risk of shock. This disposer must be connected to an earthed, metal, permanent wiring conductor and connected to the equipment earthing terminal or lead on the disposer.

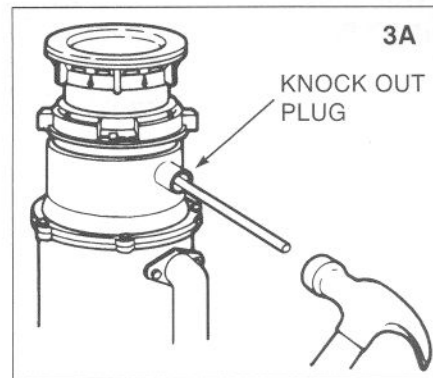
3 DISHWASHER CONNECTION (IF REQUIRED)

If you are utilizing a dishwasher, complete the following procedure. If dishwasher is not to be connected go on to step 4.

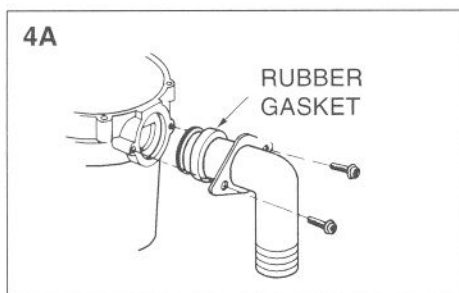
A. Using a blunt instrument (steel punch or wooden dowel), knock out entire plug (see 3A). Do not use a screwdriver or sharp instrument. When knockout plug falls into disposer, you

may remove it or simply grind it up when the disposer is used. This will not damage the disposer in any way, but may take some time to grind, over the course of several uses.

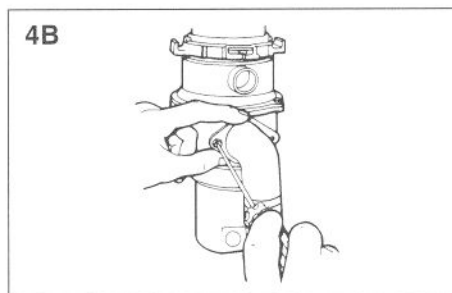
B. Connect dishwasher hose using hose clamp. If hose size is different, you will need a stepped rubber adapter.



4 ATTACHING THE DISCHARGE ELBOW



A. Connect waste elbow to disposer (see 4A), proceed to step 5 and then connect bottom of elbow by tightening slip nut.



B. Make sure all plumbing connections are tight (see 4B).

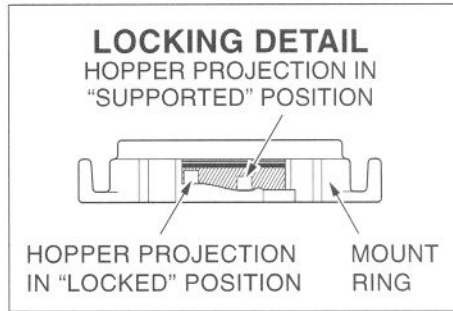
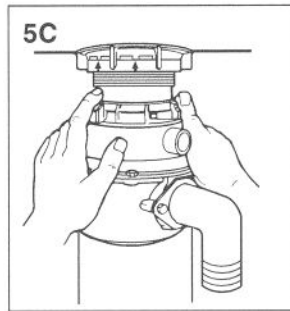
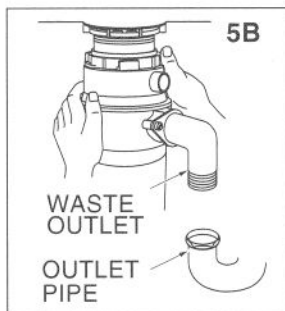
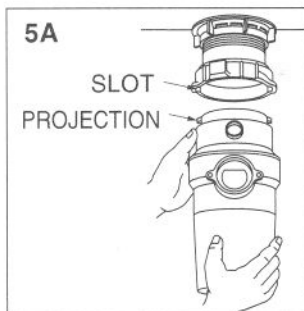
5 CONNECTING DISPOSER TO MOUNT ASSEMBLY

A. Line up disposer under mount assembly. Guide hopper projections into mount ring slots. Turn mount ring about 6mm to right so that disposer is temporarily supported (see 5A).

B. Turn mount ring and disposer until disposer waste outlet lines up with outlet pipe (see 5B).

C. Turn mount ring to the right until it locks up tight. Hopper projections must be to extreme left of mounting slots (see 5C).

D. If mount ring is hard to turn, you may add a small amount of petroleum jelly or liquid soap to hopper projections. Run water and check for leaks.



6 OPERATING INSTRUCTIONS

THIS DISPOSER UTILIZES ANTI-JAM SWIVEL IMPELLERS THAT MAKE A CLICKING SOUND AS THEY SWING INTO PLACE. THIS INDICATES NORMAL OPERATION.

CONTINUOUS FEED MODELS:

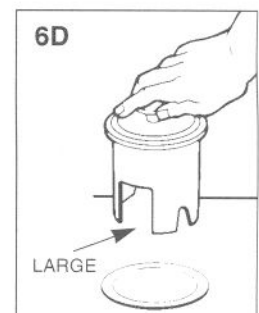
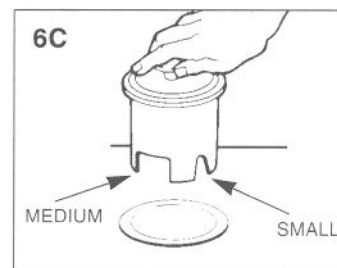
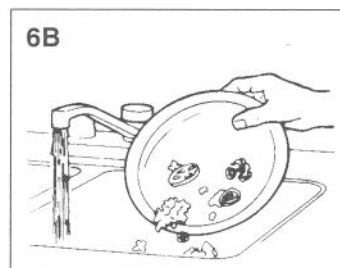
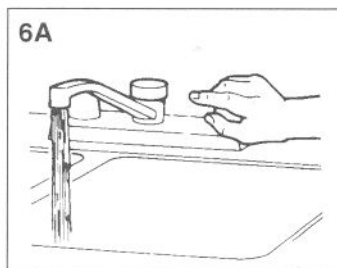
- A. Remove sink stopper. Turn on cold water using a medium flow.
- B. Turn switch to ON position; your motor is turning at full speed and ready to use.
- C. Scrape in food waste. Down the drain go table scraps, peelings, cobs, rinds, seeds, pits, bones and coffee grounds. To speed up food waste disposal, cut or break up large bones, rinds and cobs. Large bones and fibrous husks require considerable grinding time and are more easily thrown away with other trash. Do not be alarmed that the
- D. Before turning disposer off, let water and disposer run for approximately 25 seconds after shredding stops. This assures that all waste is thoroughly flushed through trap and drain.
- E. It is not recommended to use hot water while running disposer. Cold water will keep food waste and fats solid so disposer can flush away particles.

HELPFUL HINTS:

- A. Be sure disposer is empty before using your dishwasher so it may drain properly.
- B. You may want to leave the stopper in the drain when not in use to prevent utensils and foreign objects from falling into the disposer.
- C. Use it wisely! Your disposer is ruggedly built to give you years and years of trouble-free service. It will handle all normal food wastes—BUT it will not grind and dispose such items as tin cans, bottles and bottle caps, glass, china, leather, cloth, crockery, rubber, string, feathers, or clam or oyster shells. These are waste materials and belong in the trash can or trash compactor—not inside your food waste disposer.
- D. Use your disposer “before” and “after” meals! While preparing food, turn on your disposer and the cold water, clearing your sink of vegetable peelings, or salad trimmings. When the meal is over, scrape food scraps directly into the disposer.
- E. TO SPEED UP FOOD WASTE DISPOSAL... Cut or break up large bones, melon rinds, grapefruit skins, corn cobs. Items such as large bones, fibrous husks like lima bean pods and corn husks require considerable cutting time. For this reason, you may prefer to place them in the trash can or trash compactor along with your empty tin cans and bottles.

BATCH FEED MODELS:

- A. Remove sink stopper and turn on a medium flow of cold water. (See 6A)
- B. Scrape in food waste. Down the drain go table scraps, vegetable peelings, cobs, rinds, pits, bones and coffee grounds. (See 6B)
- C. Insert stopper to start disposer. One of the two small slots in stopper base must line up with switch plunger inside the neck of the disposer. (See 6C) Push down firmly. Lift stopper to shut disposer off.
- D. Run disposer and water for 25 seconds after shredding stops. This assures that all waste is thoroughly flushed through trap and drain.
- E. To fill sink, insert stopper so that largest slot lines up with switch plunger. (See 6D) Stopper can now be pushed down to seal sink without actuating disposer. When medium sized slot (See 6C) in stopper base is lined up with the switch plunger, water can drain, but tableware, etc., cannot be accidentally dropped into disposer.



7 TROUBLESHOOTING

Before seeking repair or replacement, we recommend that you review the following:

SAFETY NOTE: Before investigating you must disconnect the power supply. Depending on the installation this can be done by either removing the plug from the socket or for continuous feed models, switching the disposer control to "OFF"

LOUD NOISES (Other than those during grinding of bones and fruit pits): These are usually caused by accidental entry of a spoon, bottle cap or other foreign object. To correct this, remove *splash guard and remove object with long handled tongs. Replace *splash guard.

UNIT DOES NOT START: With *splash guard removed, check to see if turntable will rotate freely using a broom handle. If turntable rotates freely, replace *splash guard and check re-set button to see if it has been tripped. Reset button is red and located opposite discharge elbow, near the bottom. (See 7A) Push button in until it clicks and remains depressed.

If reset button has not been tripped, check for shorted or broken wire connecting to disposer. Check electrical power switch, fuse box or circuit breaker. If wiring and electrical components are intact, the unit may have internal problems that require service or replacement.

IF TURNTABLE DOES NOT ROTATE FREELY: Check for foreign object lodged between the turntable and grind ring. Dislodge object by rotating table with a broom handle and remove object. (See 7B) If no foreign object is present, there may be internal problems.

LEAKS: If the unit leaks at the top, it may be due to:

1. Improper seating of sink flange (gasket choice, putty or tightening.)
2. Support ring not tightened properly.
3. Defective cushion mount.

If unit leaks at the waste elbow, leak may be due to improper tightening of elbow flange screws.



WARNING: Before resetting, disconnect the power supply - please see SAFETY NOTE above. The overload control prevents the motor from operating should overloading occur. This safety feature protects your house wiring and your disposer. When overloaded, the motor will stop automatically.

*Batch Feed does not include splash guard.

8 CLEANING AND MAINTENANCE

THE MOTOR IS PERMANENTLY LUBRICATED FOR LIFE. DO NOT ATTEMPT TO LUBRICATE YOUR DISPOSER! The disposer is self cleaning and scours itself with each use.

Your disposer, except for the Batch Feed model, is equipped with a removable splash guard for ease of cleaning or replacement. Remove splash guard by pulling it out from the top. To replace, simply insert into sink flange and push down until properly seated.

NEVER put lye or chemical drain cleaners into the disposer, as they cause serious corrosion of metal parts. If used, resulting damage can be easily detected and all warranties are void.

Mineral deposits from your water can form on the stainless steel turntable of your disposer, giving the appearance of rust. DO NOT BE ALARMED, the stainless steel turntables used on models indicated in section 10 and will not corrode.

